

For reference only. See data sheet for the detailed specifications.

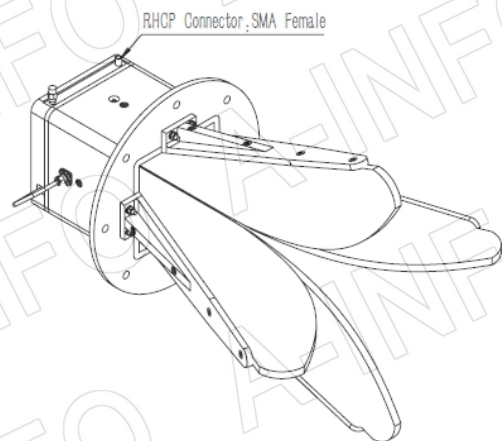
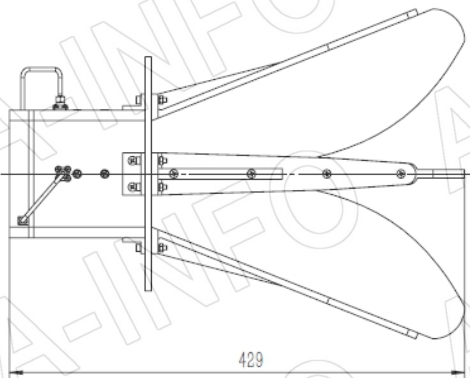
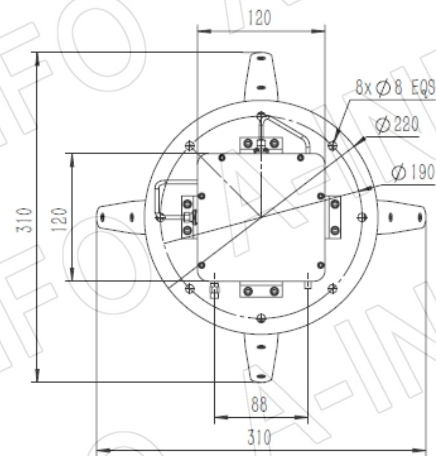
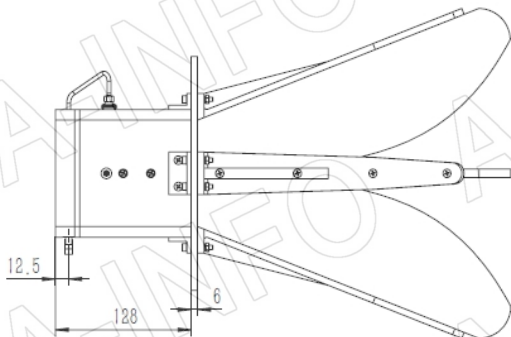
Technical Specification



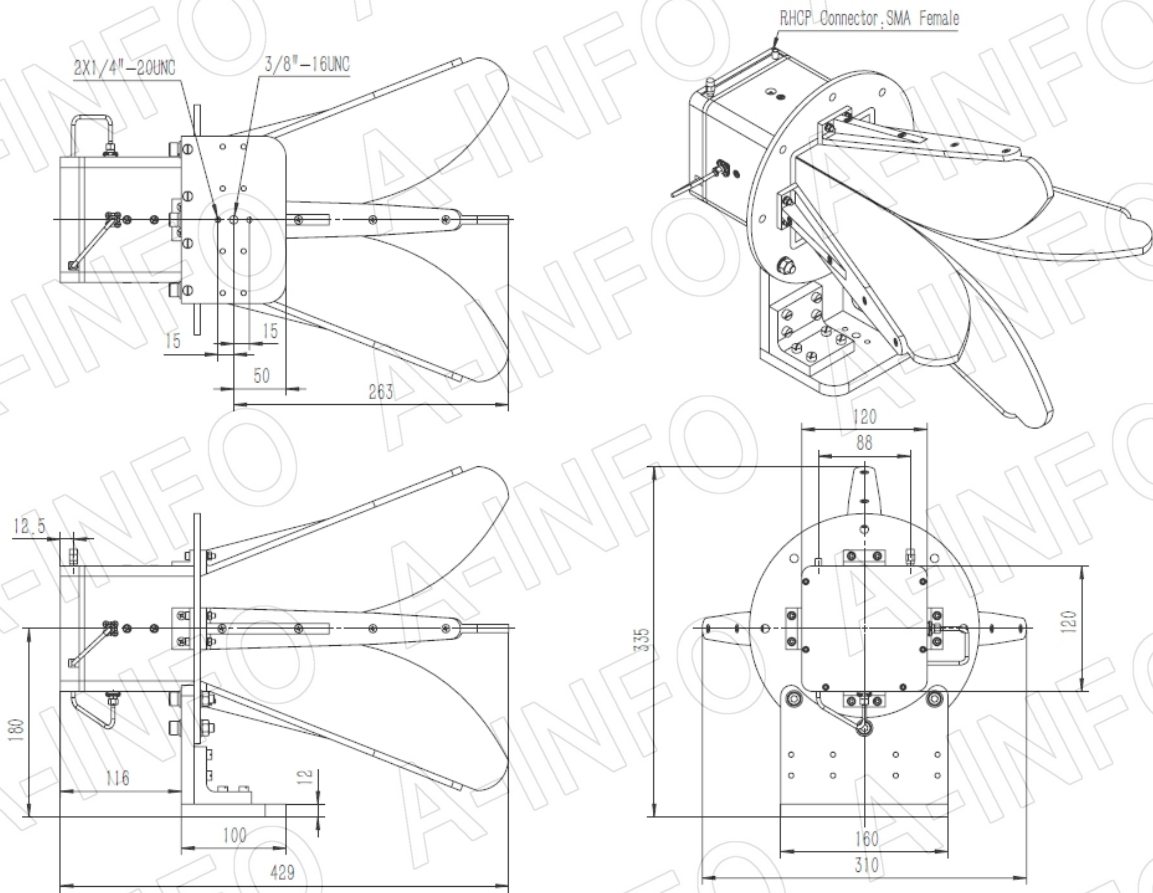
Frequency Range(GHz)	0.7 - 6.0
Gain(dBic)	10 Typ.
Polarization	RHCP
Axial Ratio(dB)	2.0 Typ.
	4.0 Max.
3dB Beamwidth(deg)	E Plane: 175 - 19
	H Plane: 139 - 18
VSWR	2.0:1 Max.
Connector	SMA-Female
Power Handling(W CW)	50 Max.
Material	Al
Finish	Chemical Conversion Coating and Nickel Plated
Size(mm)	310 x 310 x 429
Net Weight(Kg)	5.0 Around

Outline Drawing (Size: mm)

SMA Female Output (P/N: LB-OSJ-0760-P02)

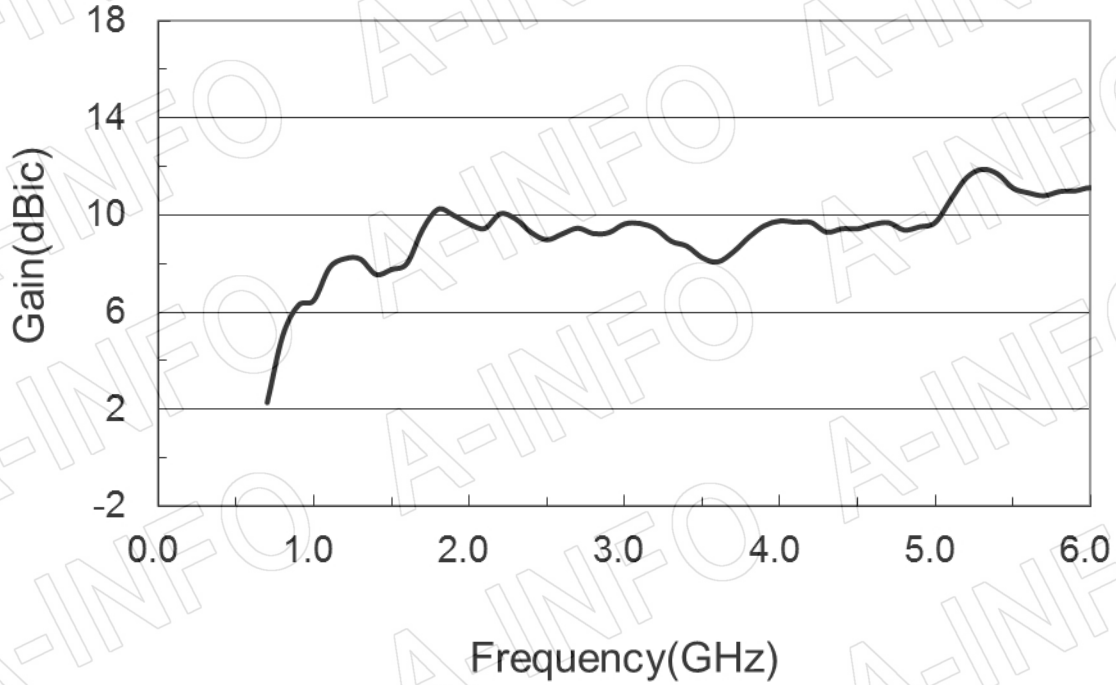


SMA Female Output with L Type Mounting Bracket (Option, P/N: LB-OSJ-0760-L)

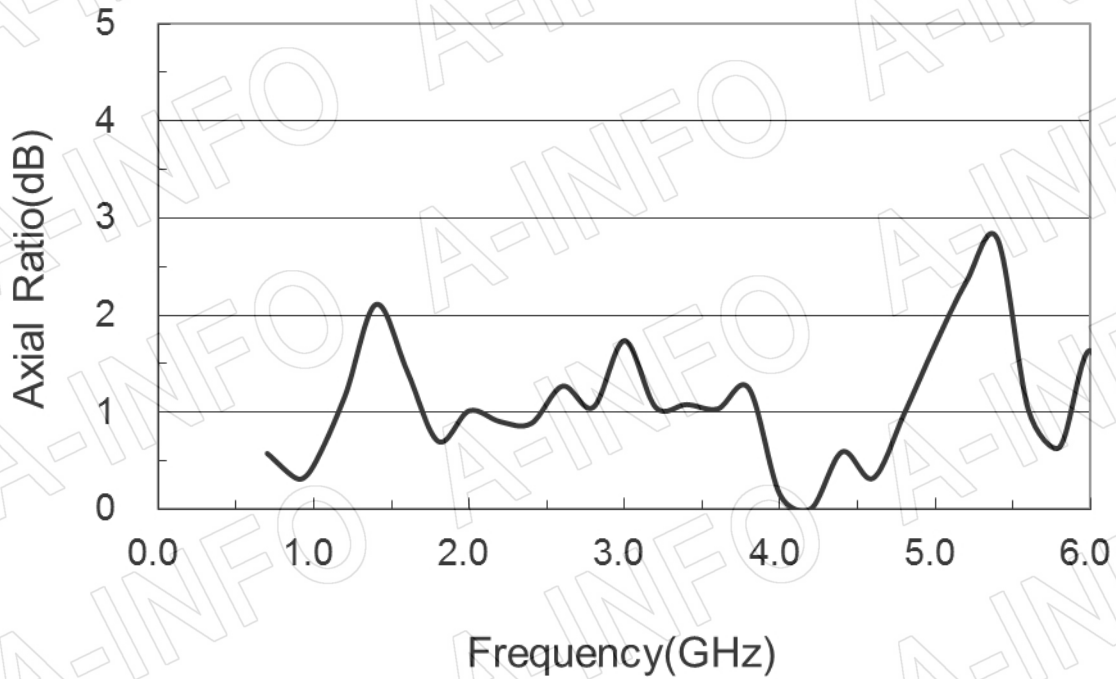


Test Results

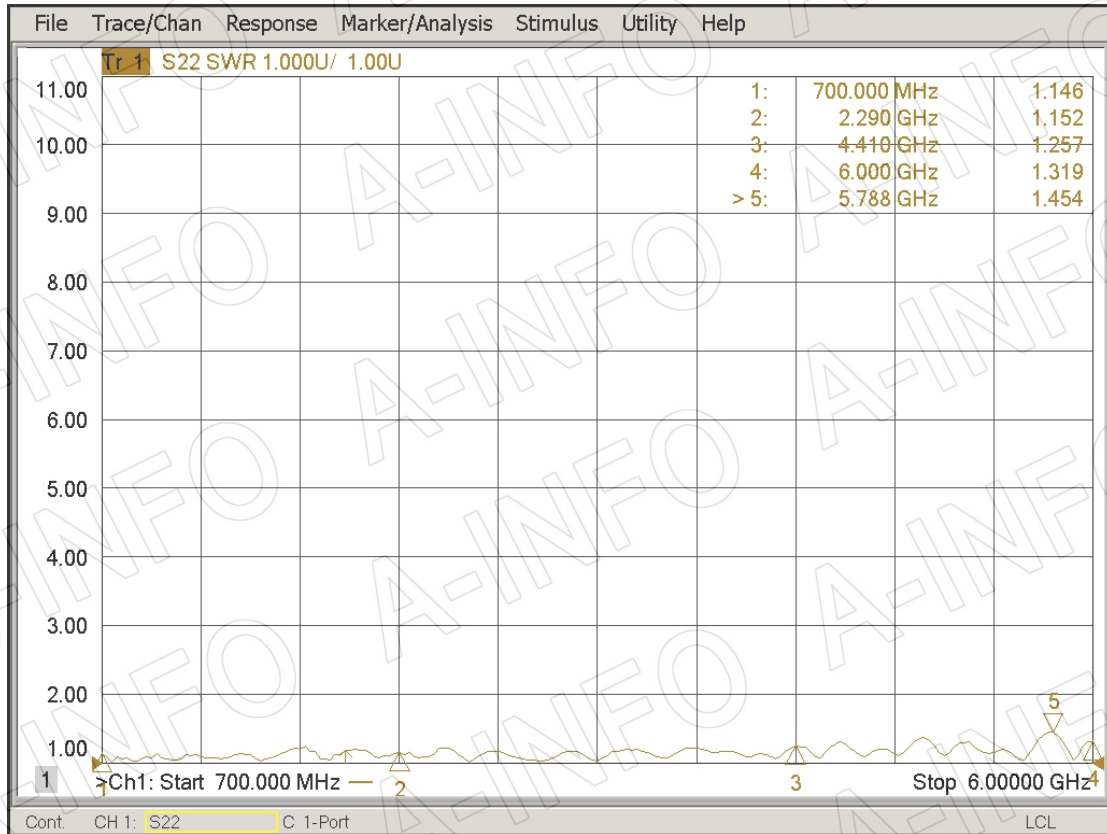
1. Gain



2. Axial Ratio



3. VSWR



4. Pattern

